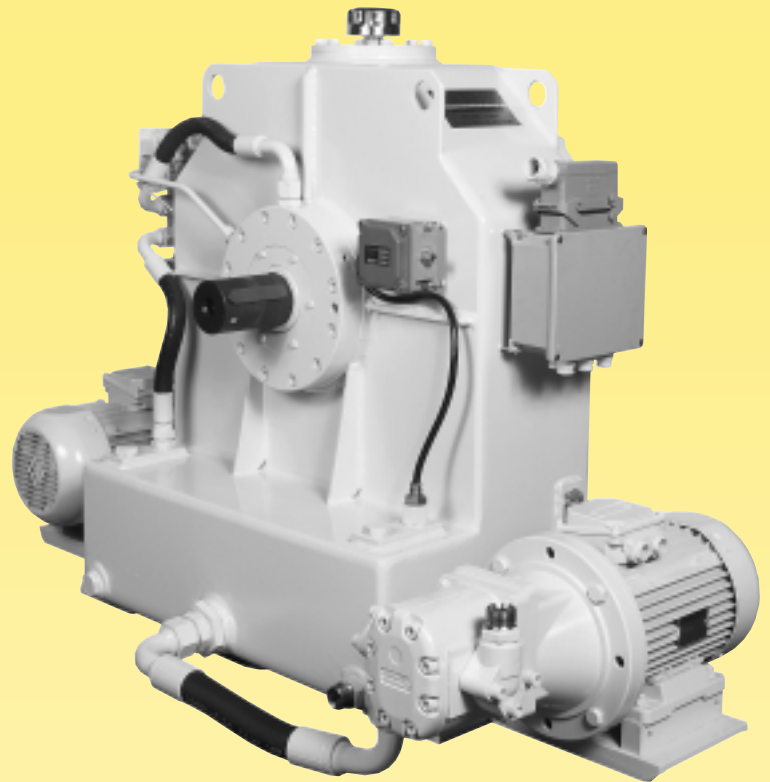


TRANSFLUID



# TRANSFLUID

**trasmissioni industriali**



**drive with us**

**KPT**  
VARIABLE FILL FLUID COUPLINGS

# FLUID COUPLINGS KPT SERIES

## for electric motors

### DESCRIPTION

The **KPT** is a variable fill fluid coupling designed to be a start up drive or a variable speed drive.

The KPT has an externally driven oil feeding pump and a remote electrically operated ON-OFF valve. When the valve is turned ON, the fluid coupling circuit is fed, when it is turned OFF, rapid oil drain occurs through orifices located on the periphery of the coupling.

The forced bearing lubrication is continuously assured.

The oil pump flow can be operated through any kind of variable speed device allowing KPT to be a variable speed drive.

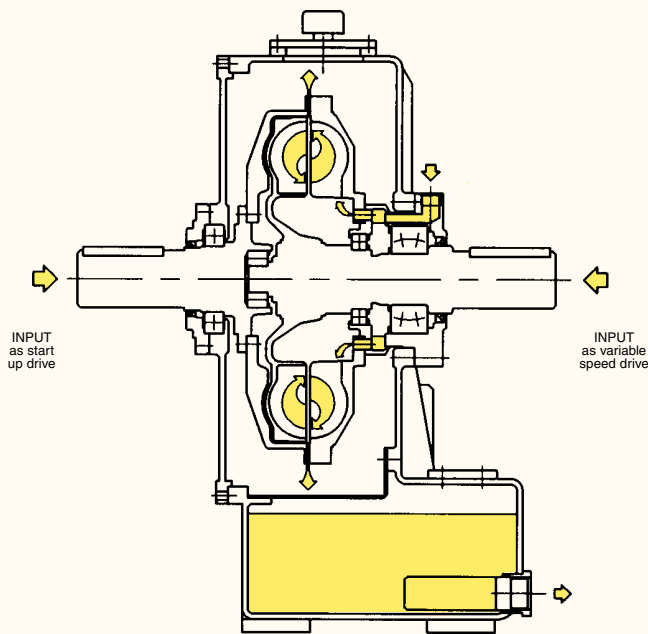
The KPT range is suitable for powers up to 1700 kW as start up drive and 500 kW as variable speed drive.

The input and output straight shafts can be connected to electric motor and driven machine by elastic and flexible couplings.

Standard accessories: oil motor pump, oil filter with pressure and temperature gauges, ON-OFF electric valve, oil temperature and pressure switches, oil level indicators, connecting wiring box with plug.

Optionals: water or air heat exchanger, quick release valves, output pulley, flexible and elastic couplings, cardan shafts, electric control board.

### WORKING SCHEME



rpm	SELECTION TABLE (kW)							
	15	17	19	21	24	27	29	
1000	–	–	70	100	150	220	350	
1200	–	65	90	150	220	300	520	
1500	65	90	160	230	315	570	1000	
1800	85	155	275	400	545	1000	1700	

High speed fluid couplings supplied upon request

### FEATURES

The variable fill fluid coupling allows to disconnect the motor from the load, granting the following advantages:

- motor start up at no load
- smooth start up even possible under nominal motor current
- shock and overload protection
- torsional vibration dampening
- high radial load capacity (KPTe)
- no belt slip
- remote control by electric valve
- load positioning
- cheap and easy maintenance due to external mounting of main accessories like oil filter, feeding pump, control valve
- longer life thanks to no friction linings to wear out
- accurate variable speed performances.

### APPLICATIONS

#### start up drive:

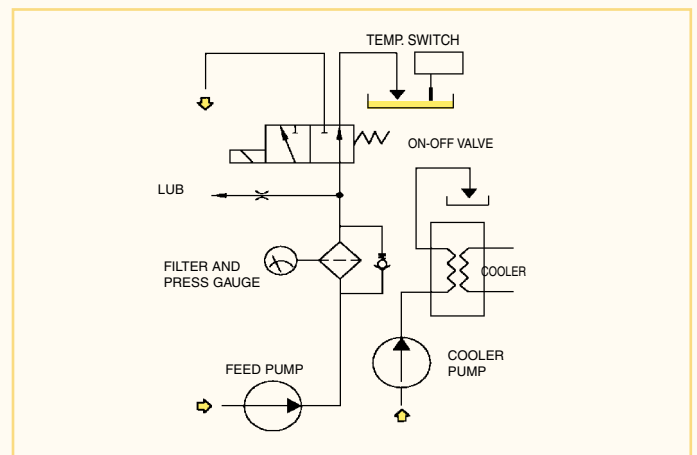
- mills, crushers, wood chippers, grinders
- belt conveyors
- reciprocating and centrifugal pumps, compressors
- marine propulsion
- generators
- centrifuges, fans and blowers
- mixers.

#### variable speed drives:

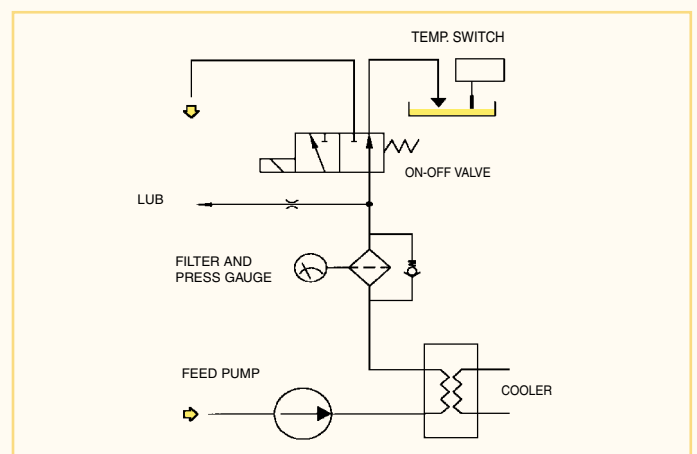
- centrifugal pumps and compressors
- fans and blowers.

### HYDRAULIC CIRCUIT

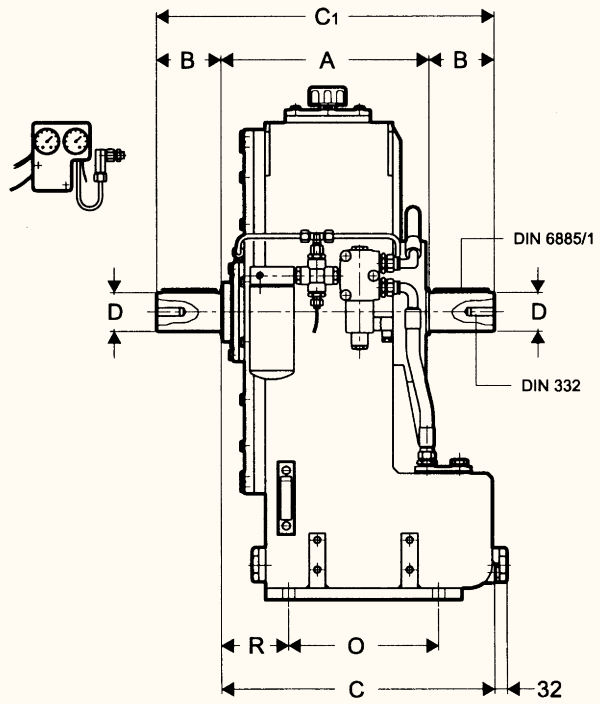
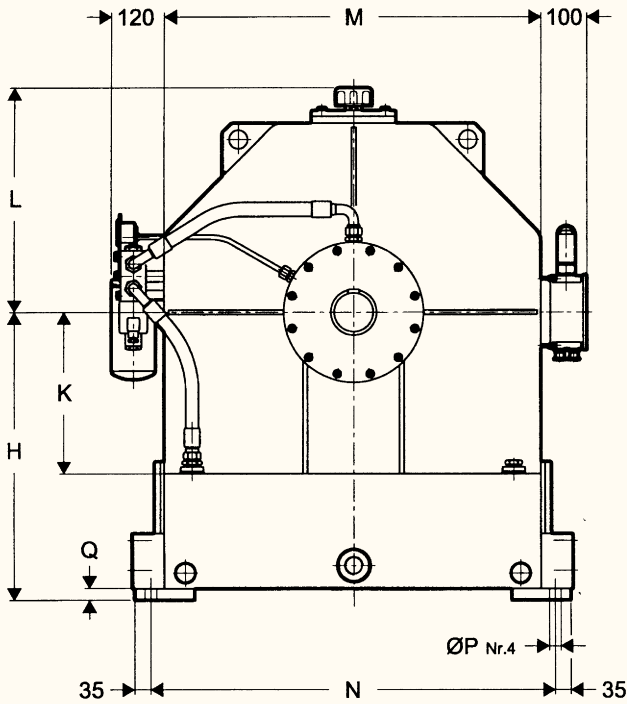
#### VARIABLE SPEED DRIVE



#### START UP DRIVE



## KPTB



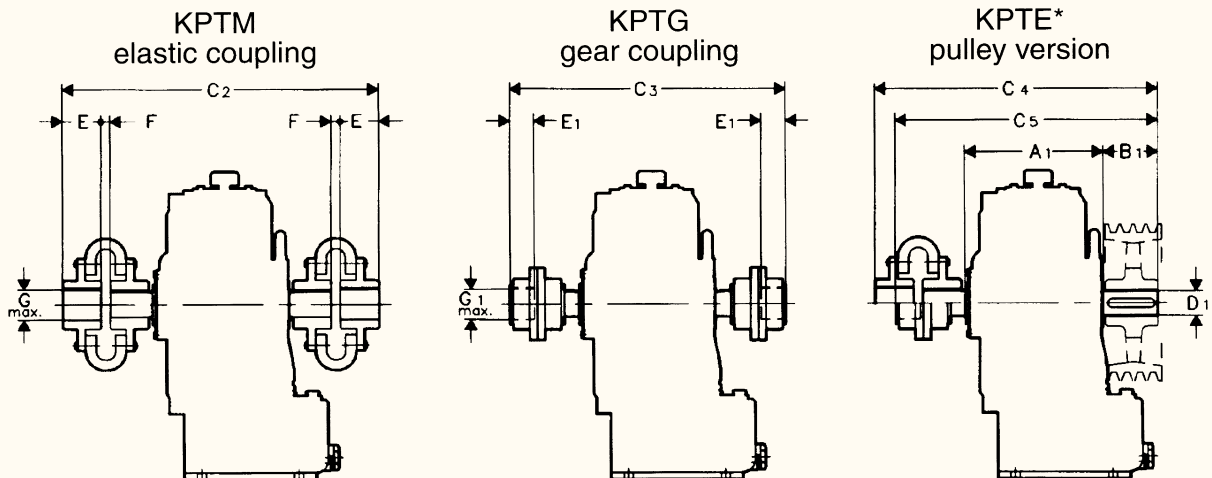
Size Dimensions

	A	A1	B	B1	C	C1	C2	C3	C4	C5	D	D1	E	E1	F	G
<b>15</b>	390	402	110	130	502	610	820	772	747	723	65	70	90	76	15	75
<b>17/19</b>	396	406	120	150	506	636	908	798	812	757	75	80	110	76	26	90
<b>21/24</b>	451	463/539	140	180	586	731	1027	921	931/1007	878/954	85	100	122	90	26	100
<b>27</b>	560	664	180	220	689	920	1262	1142	1135	1075	100	115	145	105	26	120
<b>29</b>	610	-	180	-	739	970	1352	1192	-	-	120	-	165	105	26	140

Size Dimensions

	G1	H	K	L	M	N	O	P	Q	R	Elastic coupling	Gear coupling	Weight (kg) w/o oil	Oil (lt)
<b>15</b>	85	520	282	420	670	730	280	22	20	137	MCF 58	2 1/2"	280	40
<b>17/19</b>	85	520	282	420	670	730	280	22	20	141	MCF 65	2 1/2"	300/305	40
<b>21/24</b>	100	625	350	487	820	880	325	26	25	146	MCF 66	3"	485/503	80
<b>27</b>	120	700	385	522	890	960	390	29	25	184	MCF 68	3 1/2"	800	115
<b>29</b>	120	750	435	562	970	1040	440	29	25	184	MCF 610	3 1/2"	1100	142

\* For admissible radial loads refer to TF 6093-A.  
Dimensions can be changed without notice.



## EUROPE

### AUSTRIA

ASC GMBH  
4470 Enns

### AUSTRIA (Diesel appl.)

EUGEN SCHMIDT UND CO  
53842 Troisdorf

### BELGIUM

N.V. ESCO TRANSMISSIONS S.A.  
1831 Diegem

### DENMARK

NOMO TRANSMISSIONER  
2765 Smørum

### DENMARK (Diesel appl.)

TRANSFLUID s.r.l.  
20016 Pero (MI)

### ENGLAND & IRELAND

BIBBY TRANSMISSIONS LTD  
Dewsbury West Yorkshire wf13 1eh

### ENGLAND & IRELAND (Diesel appl.)

MARINE AND INDUSTRIAL TRANS. LTD.  
Queenborough Kent me11 5ee

### FINLAND

OY JENS S. AB  
02271 Espoo

### FRANCE

▲ TRANSFLUID FRANCE SARL  
38500 Voiron  
Tel.: 4.76919242  
Fax: 4.76919242

### GERMANY

EUGEN SCHMIDT UND CO  
53842 Troisdorf

### HOLLAND

BENZLER TBA B.V.  
05902 RH Venlo

### HOLLAND (Diesel appl.)

ESCO AANDRIJVINGEN B.V.  
2404 HM Alphen a/d Rijn

### HUNGARY

AGISYS  
2045 Torokbalint

### NORWAY

TRANSFLUID s.r.l.  
20016 Pero (MI)

### PORTUGAL

TRANSMICEM LDA  
2735-469 Cacem

### SLOVENIJA

NOVI STROJI  
3210 Slovenske Konjice

### SPAIN

TECNOTRANS SABRE S.A.  
08040 Barcelona

### SWEDEN

JENS S. TRANSMISSIONER AB  
SE-601-19 Norrköping

### SWEDEN (Diesel appl.)

M-TECH TRANSMISSIONS AB  
S-618 93 Kolmarden

### SWITZERLAND

TRANSFLUID s.r.l.  
20016 Pero (MI)

### TURKEY

REMAS  
81700 Tuzla Istanbul

## AMERICA

### ARGENTINA

TRANSFLUID s.r.l.  
20016 Pero (MI)

### BRAZIL & CHILE

PANA AMERICAN  
Sao Paulo

### COLUMBIA

A.G.P. REPRESENTACIONES LTDA  
Bogotá

### MEXICO

A.A.R.I., S.A. de C.V.  
11500 Mexico df

### PERU'

PROASA S.A  
Arequipa

### U.S.A. & CANADA

KRAFT POWER CORP.  
Suwanee GA 30024

### U.S.A. & CANADA & MEXICO

▲ TRANSFLUID LLC  
Addison, Il 60101  
Tel.: 630.5435892  
Fax: 630.5435896

## AFRICA

### EGYPT

INTERN. FOR TRADING & AGENCY (ITACO)  
Nasr City (Cairo)

### SOUTH AFRICA

BIBBY TURBOFLEX (S.A.) Pty ltd.  
Atlasville Boksburg 1465

### SOUTH AFRICA (Diesel applic.)

TRANSFLUID s.r.l.  
20016 Pero (MI)

### TUNISIA

SOCOS INDUSTRIES  
1008 Montfleury - Tunis

## OCEANIA

### AUSTRALIA

CBC POWER TRANSMISSION  
Kingsgrove NSW 2208

### NEW ZEALAND

PAYKEL ENG. SUPPLIES  
Auckland

## ASIA

### ASIA South East

ATRAN TRANSMISSION PTE LTD  
Singapore 128384

### CHINA

▲ TRANSFLUID srl  
Beijing Representative Office  
Tel.: 10.62381099  
Fax 10.62381090

### INDIA

PROTOS ENGINEERING CO. PRIVATE LTD  
Chennai 600002

### INDONESIA

PT. HIMALAYA EVEREST JAYA  
Jakarta 11710

### IRAN

LEBON CO.  
Tehran 15166

### ISRAEL

ELRAM ENGINEERING LTD.  
Emek Hefer

### JAPAN

ASAHI SEIKO CO. LTD.  
Osaka 593

### KOREA

NARA CORPORATION  
Pusan - South Korea

### TAIWAN

FAIR POWER TECHNOLOGIES CO. LTD  
Taipei

### THAILAND

SYSTEM CORP. LTD.  
Bangkok 10140

### VIETNAM

CETRADE (M) SDN BHD  
Penang Malaysia

LOCAL DISTRIBUTOR

▲ TRANSFLUID SUBSIDIARIES